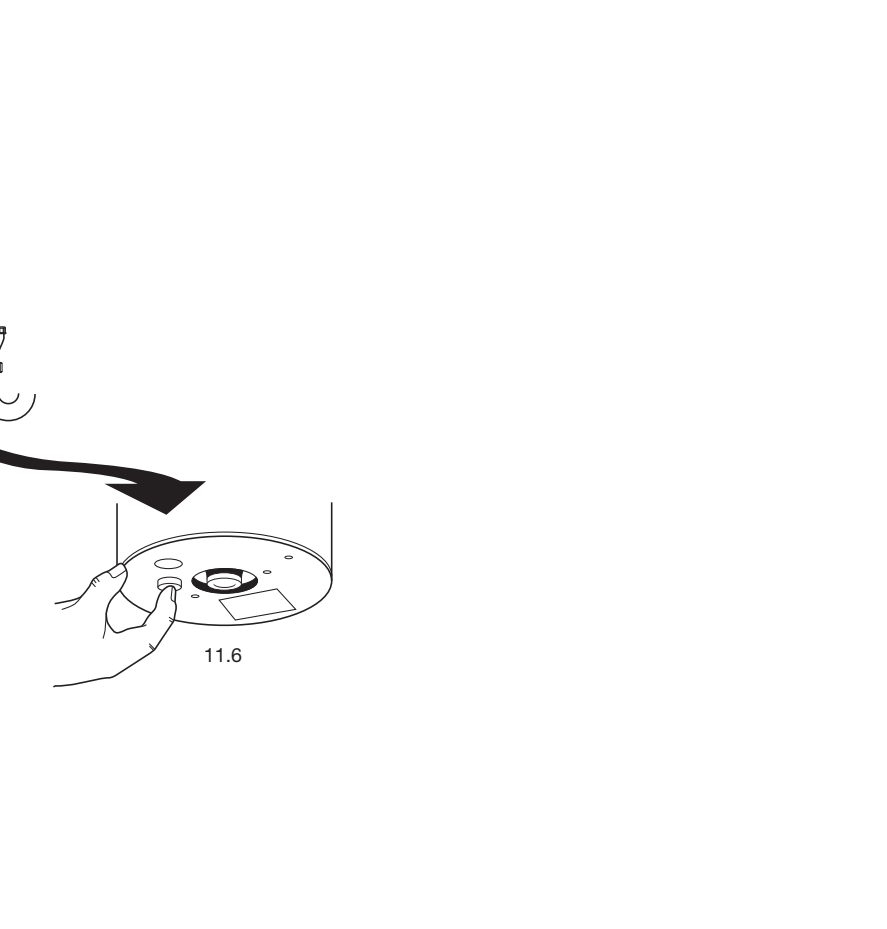
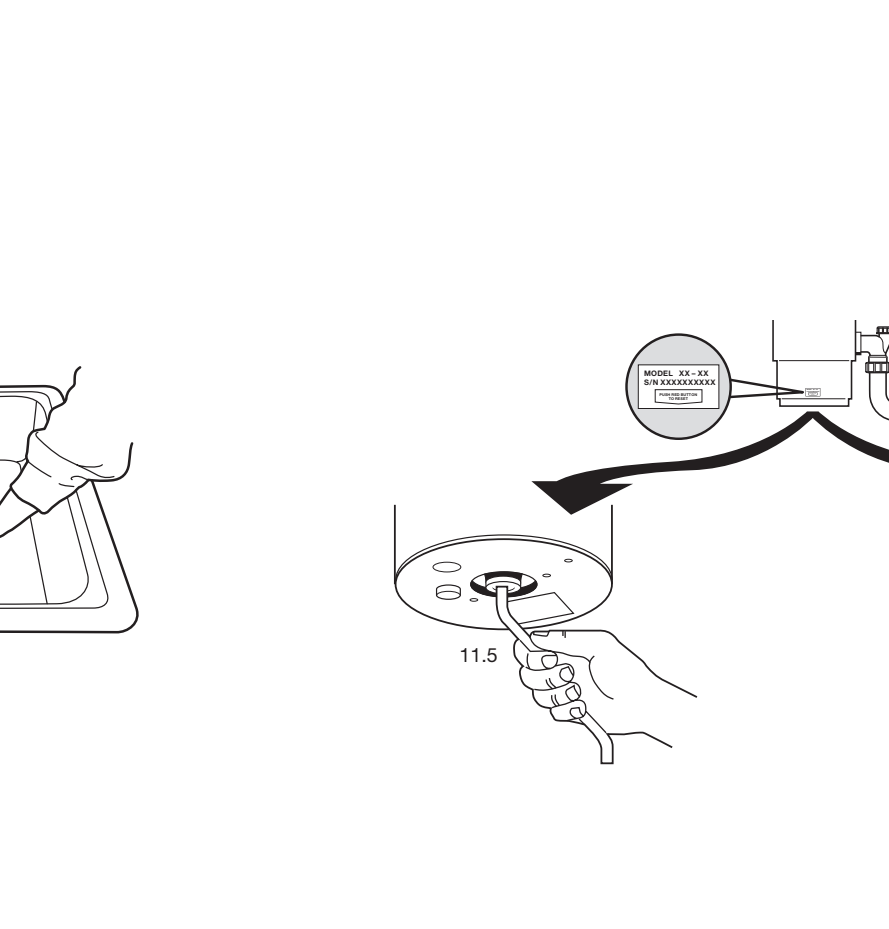
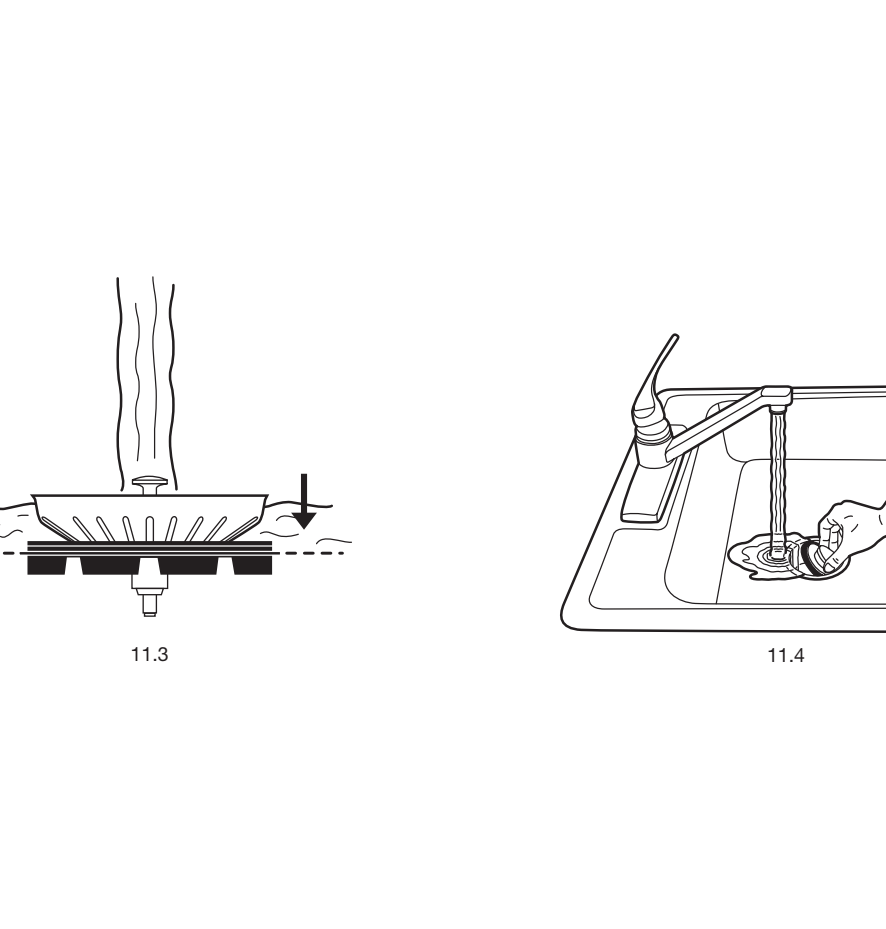
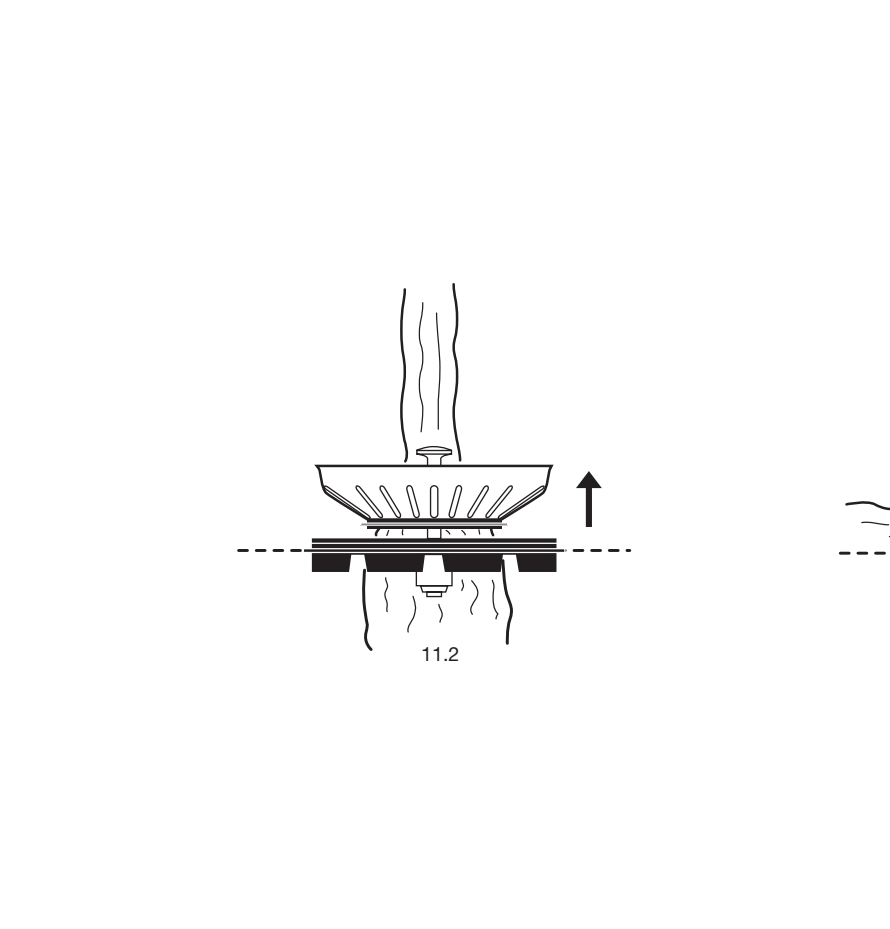
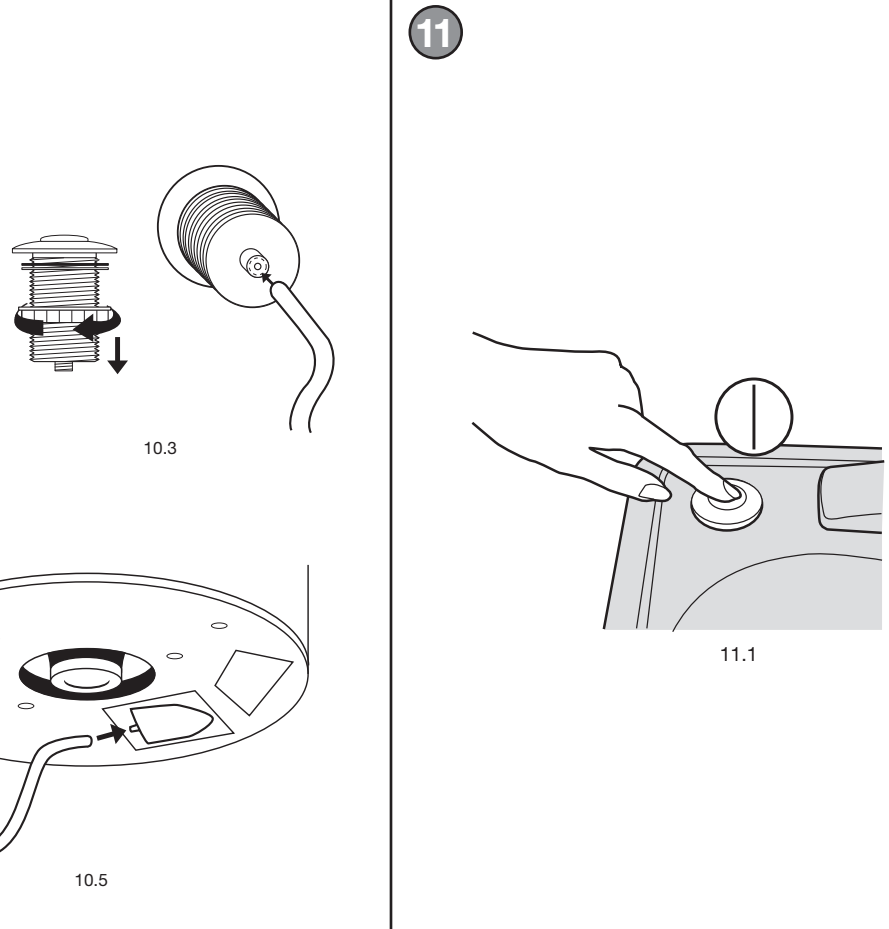
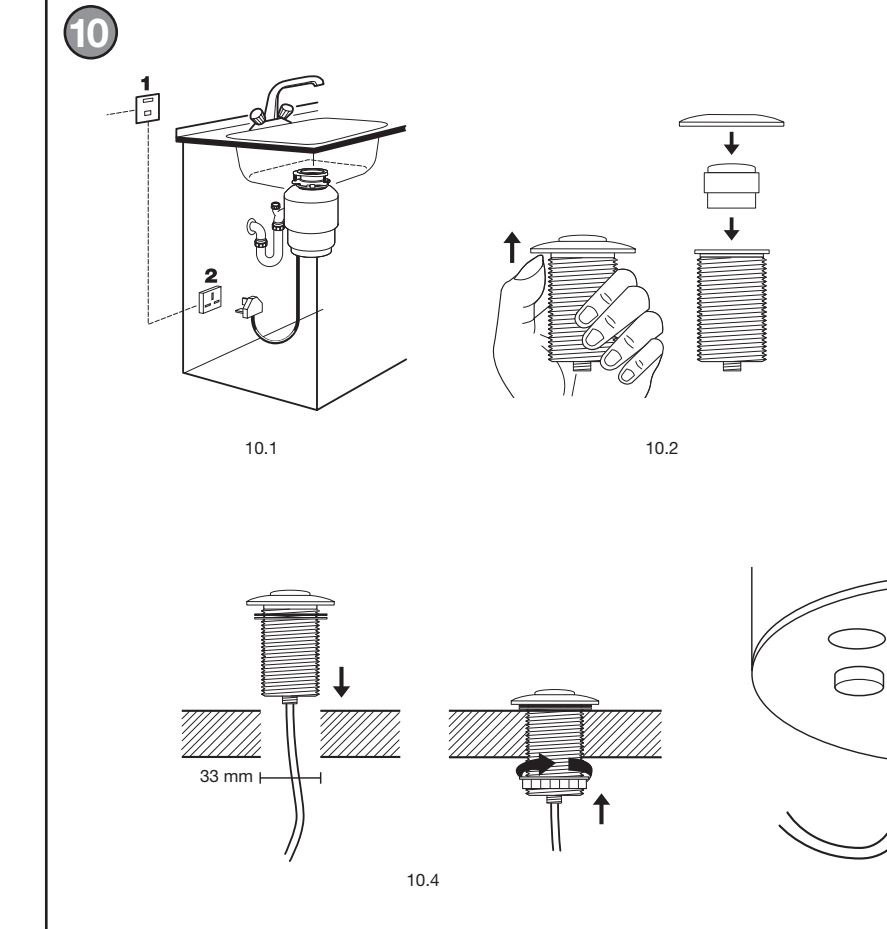
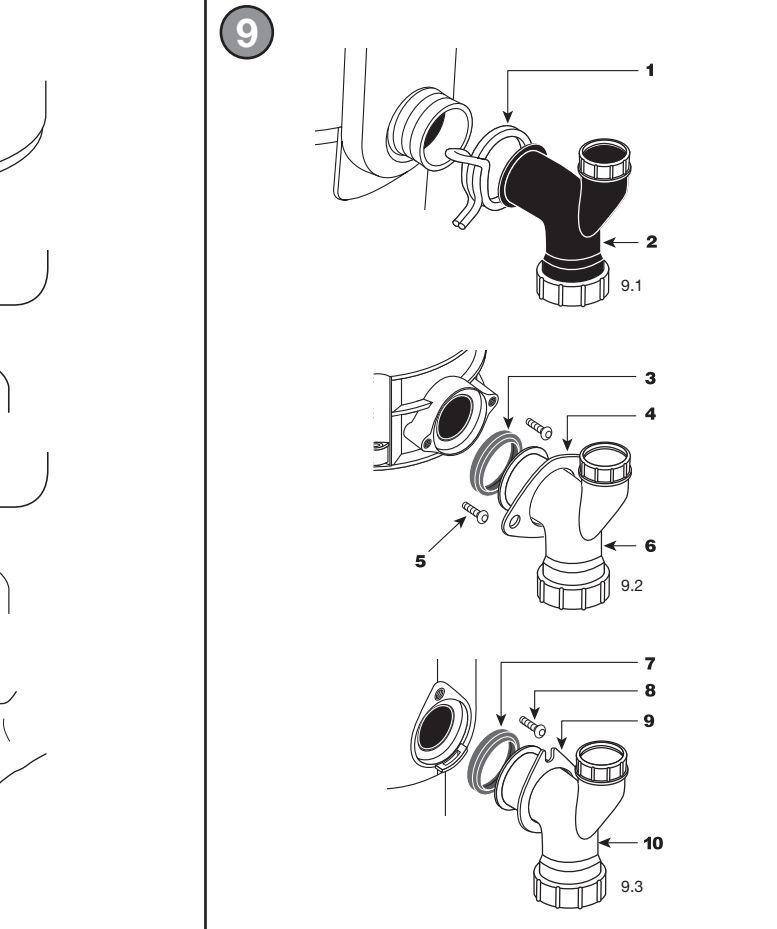
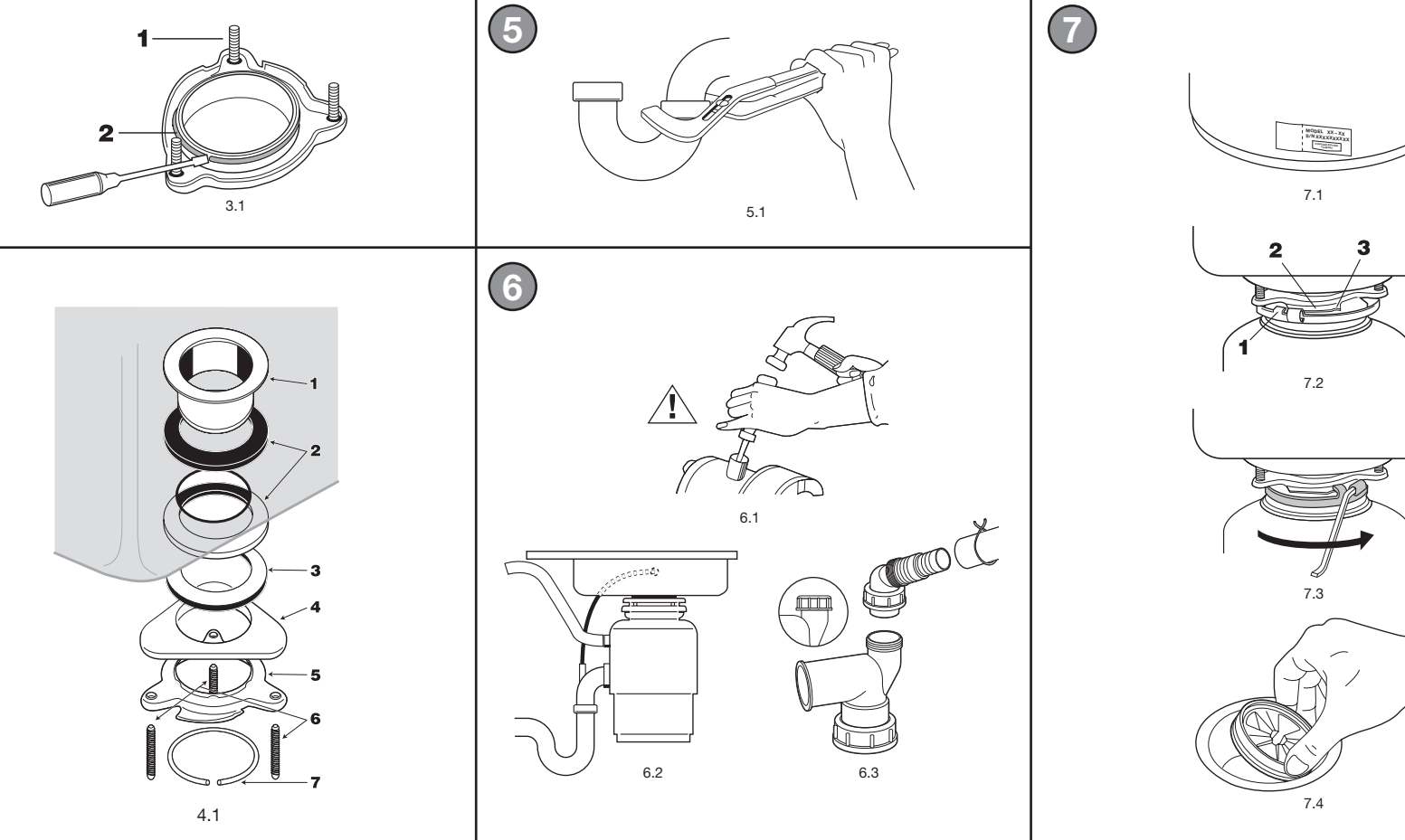


Evolution 200 Evolution 100 Model 66-56, 46 and LC-50	1	2	3	4	5
Evolution 200 Evolution 100 Model 66-56, 46 and LC-50	13.20	13.20	13.20	13.20	13.20
Evolution 200 Evolution 100 Model 66-56, 46 and LC-50	13.20	13.20	13.20	13.20	13.20
Evolution 200 Evolution 100 Model 66-56, 46 and LC-50	13.20	13.20	13.20	13.20	13.20
Evolution 200 Evolution 100 Model 66-56, 46 and LC-50	13.20	13.20	13.20	13.20	13.20
Evolution 200 Evolution 100 Model 66-56, 46 and LC-50	13.20	13.20	13.20	13.20	13.20
Evolution 200 Evolution 100 Model 66-56, 46 and LC-50	13.20	13.20	13.20	13.20	13.20
Evolution 200 Evolution 100 Model 66-56, 46 and LC-50	13.20	13.20	13.20	13.20	13.20
Evolution 200 Evolution 100 Model 66-56, 46 and LC-50	13.20	13.20	13.20	13.20	13.20
Evolution 200 Evolution 100 Model 66-56, 46 and LC-50	13.20	13.20	13.20	13.20	13.20
Evolution 200 Evolution 100 Model 66-56, 46 and LC-50	13.20	13.20	13.20	13.20	13.20
Evolution 200 Evolution 100 Model 66-56, 46 and LC-50	13.20	13.20	13.20	13.20	13.20
Evolution 200 Evolution 100 Model 66-56, 46 and LC-50	13.20	13.20	13.20	13.20	13.20
Evolution 200 Evolution 100 Model 66-56, 46 and LC-50	13.20	13.20	13.20	13.20	13.20
Evolution 200 Evolution 100 Model 66-56, 46 and LC-50	13.20	13.20	13.20	13.20	13.20



inSinkErator  
EMERSON Electric Co.  
4902 21st Street, #1001 USA  
Columbus, Ohio 43240-1001  
Sales Service Tel: 281-554-5822  
www.inSinkErator.com

Evolution 200 Evolution 100 Model 66-56, 46 and LC-50  
13.20 Nm (9.5 ft-lb) torque  
Evolution 200 Evolution 100 Model 66-56, 46 and LC-50  
13.20 Nm (9.5 ft-lb) torque

**FOOD WASTE DISPOSER INSTALLATION, CARE & USE MANUAL**

**1. CHECK INSTALLATION DIMENSIONS**

1. Turn mounting assembly over (see Figure 1) and loosen three mounting screws. Do not tighten them. Check for clearance to disposal outlet. Add 12 mm when stainless steel is used.

2. Distance from center of sink to center of disposal outlet. Add 12 mm when stainless steel is used.

3. Distance from center of disposal outlet to center of discharge tube. Do not adjust. If the discharge outlet is not of discharge tube, distance from center of disposal outlet to center of discharge tube must be at least 127 mm (5.0 in).

4. Disposal Width

5. Distance from disposal outlet opening to center of water connection. The Evolution 200 Model 66-56, 46 and LC-50 disposer requires a 127 mm (5.0 in) wide water connection. The Evolution 100 Model 66-56, 46 and LC-50 disposer requires a 102 mm (4.0 in) wide water connection.

**2. DISCONNECT SINK DRAIN**

Warning: Always use personal protection during the installation of the food waste disposer.

**PERSONAL INJURY**  
Risk of injury from sharp edges of the sink drain.

1. Loosen nut (1) at top of sink drain. Remove section pipe.

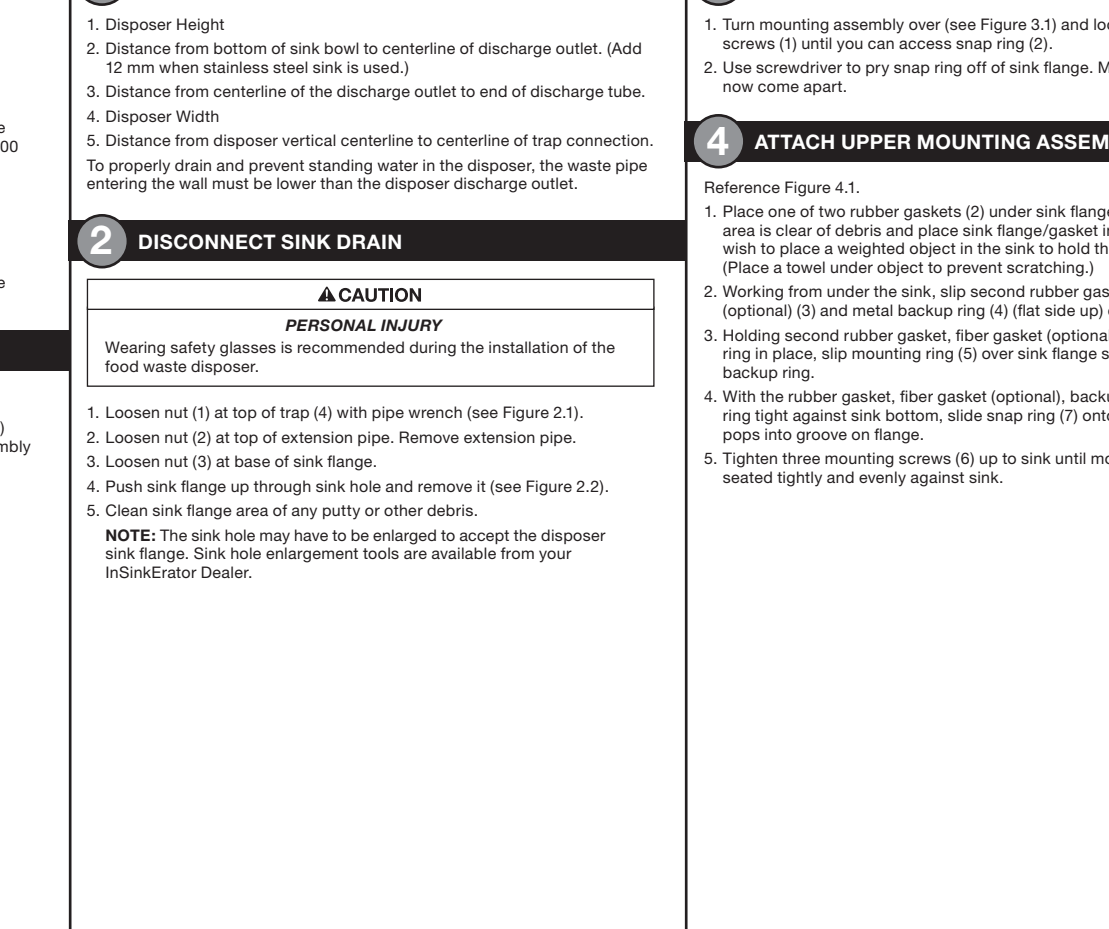
2. Loosen nut (2) at bottom of sink drain. Remove section pipe.

3. Loosen nut (3) at base of sink drain.

4. Push sink flange up through hole and remove it (see Figure 2).

5. Check sink flange area for any cuts or other damage.

**NOTICE**  
The sink hole may have to be enlarged to accept the disposer. If necessary, use a hole saw or other cutting tool available from your hardware dealer.



**3. DISCONNECT SINK DRAIN**

1. Turn mounting assembly over (see Figure 3) and loosen three mounting screws. Do not tighten them. Check for clearance to disposal outlet. Add 12 mm when stainless steel is used.

2. Distance from center of sink to center of disposal outlet. Add 12 mm when stainless steel is used.

3. Distance from center of disposal outlet to center of discharge tube. Do not adjust. If the discharge outlet is not of discharge tube, distance from center of disposal outlet to center of discharge tube must be at least 127 mm (5.0 in).

4. Disposal Width

5. Distance from disposal outlet opening to center of water connection. The Evolution 200 Model 66-56, 46 and LC-50 disposer requires a 127 mm (5.0 in) wide water connection. The Evolution 100 Model 66-56, 46 and LC-50 disposer requires a 102 mm (4.0 in) wide water connection.

**4. DISCONNECT SINK DRAIN**

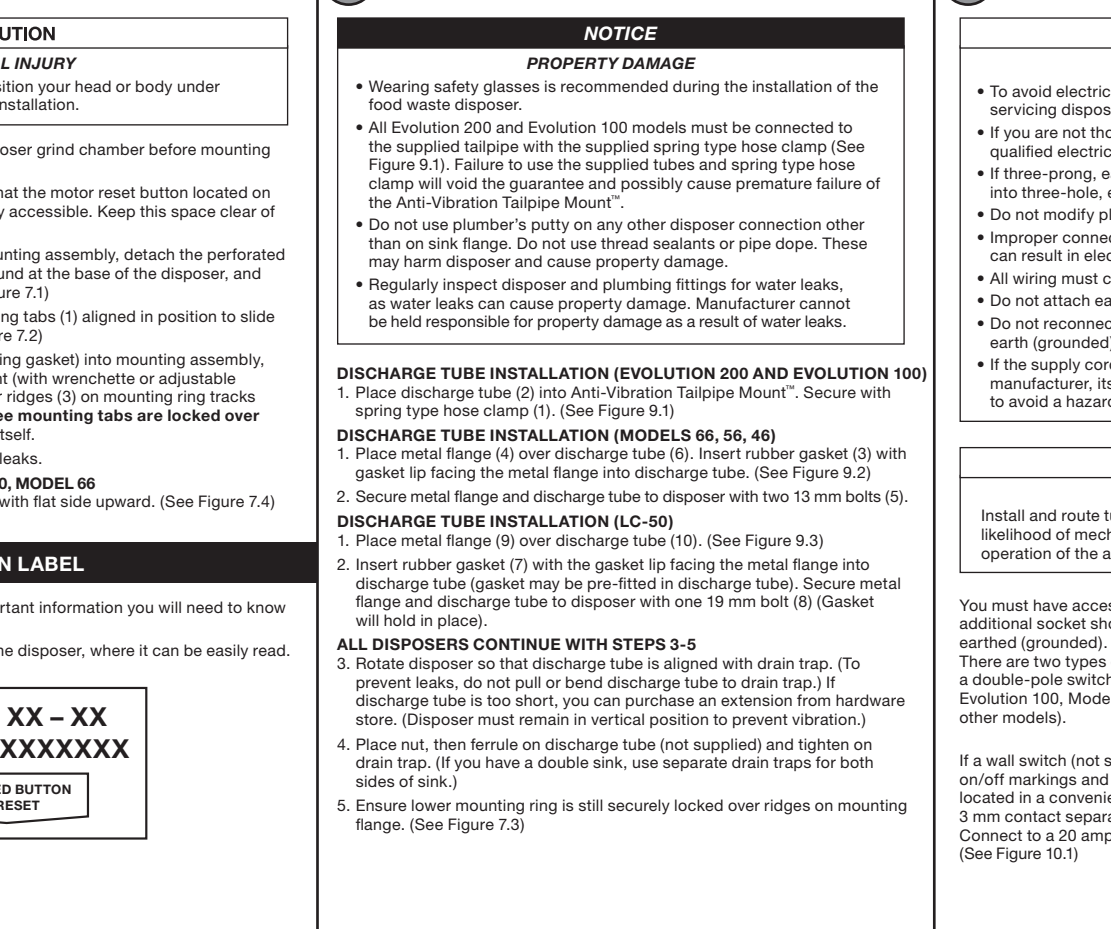
1. Turn mounting assembly over (see Figure 3) and loosen three mounting screws. Do not tighten them. Check for clearance to disposal outlet. Add 12 mm when stainless steel is used.

2. Distance from center of sink to center of disposal outlet. Add 12 mm when stainless steel is used.

3. Distance from center of disposal outlet to center of discharge tube. Do not adjust. If the discharge outlet is not of discharge tube, distance from center of disposal outlet to center of discharge tube must be at least 127 mm (5.0 in).

4. Disposal Width

5. Distance from disposal outlet opening to center of water connection. The Evolution 200 Model 66-56, 46 and LC-50 disposer requires a 127 mm (5.0 in) wide water connection. The Evolution 100 Model 66-56, 46 and LC-50 disposer requires a 102 mm (4.0 in) wide water connection.



**5. CLEAR SINK WASTE PIPE**

1. Turn mounting assembly over (see Figure 3) and loosen three mounting screws. Do not tighten them. Check for clearance to disposal outlet. Add 12 mm when stainless steel is used.

2. Distance from center of sink to center of disposal outlet. Add 12 mm when stainless steel is used.

3. Distance from center of disposal outlet to center of discharge tube. Do not adjust. If the discharge outlet is not of discharge tube, distance from center of disposal outlet to center of discharge tube must be at least 127 mm (5.0 in).

4. Disposal Width

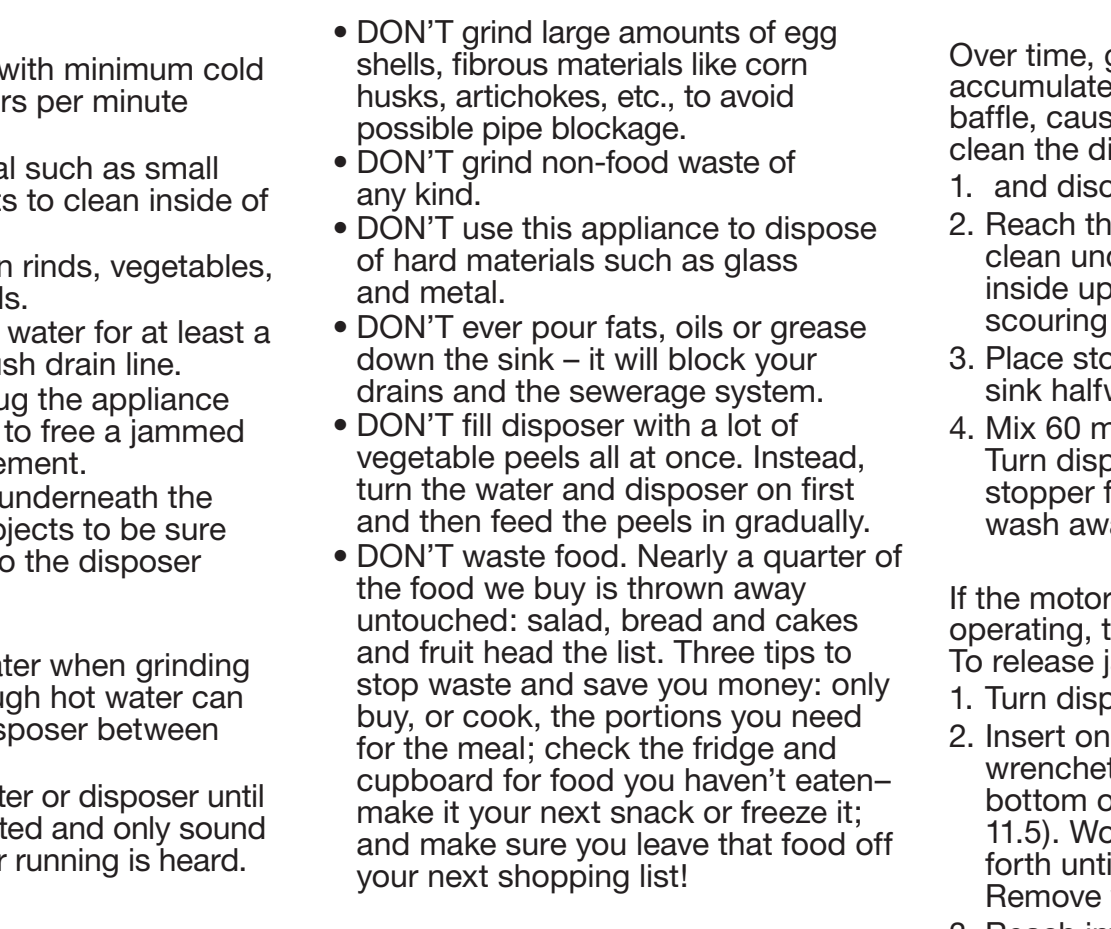
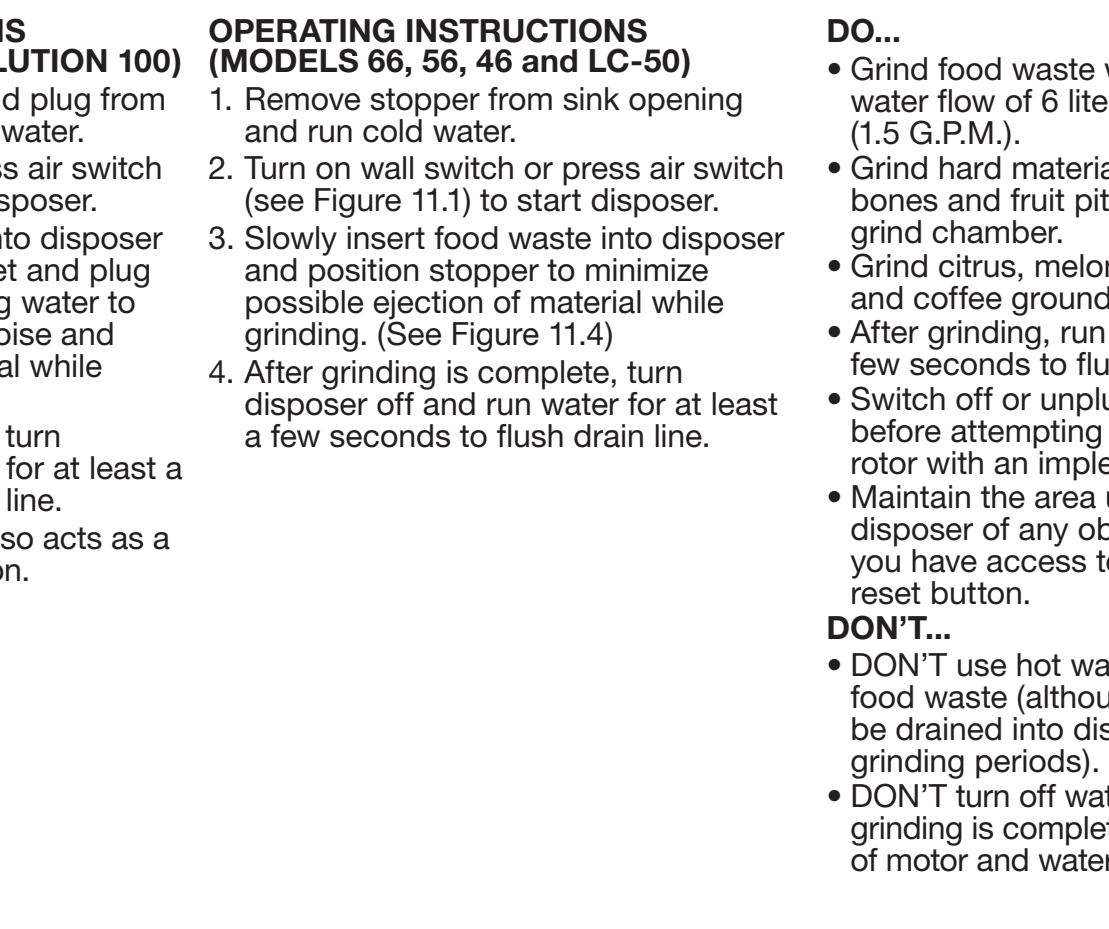
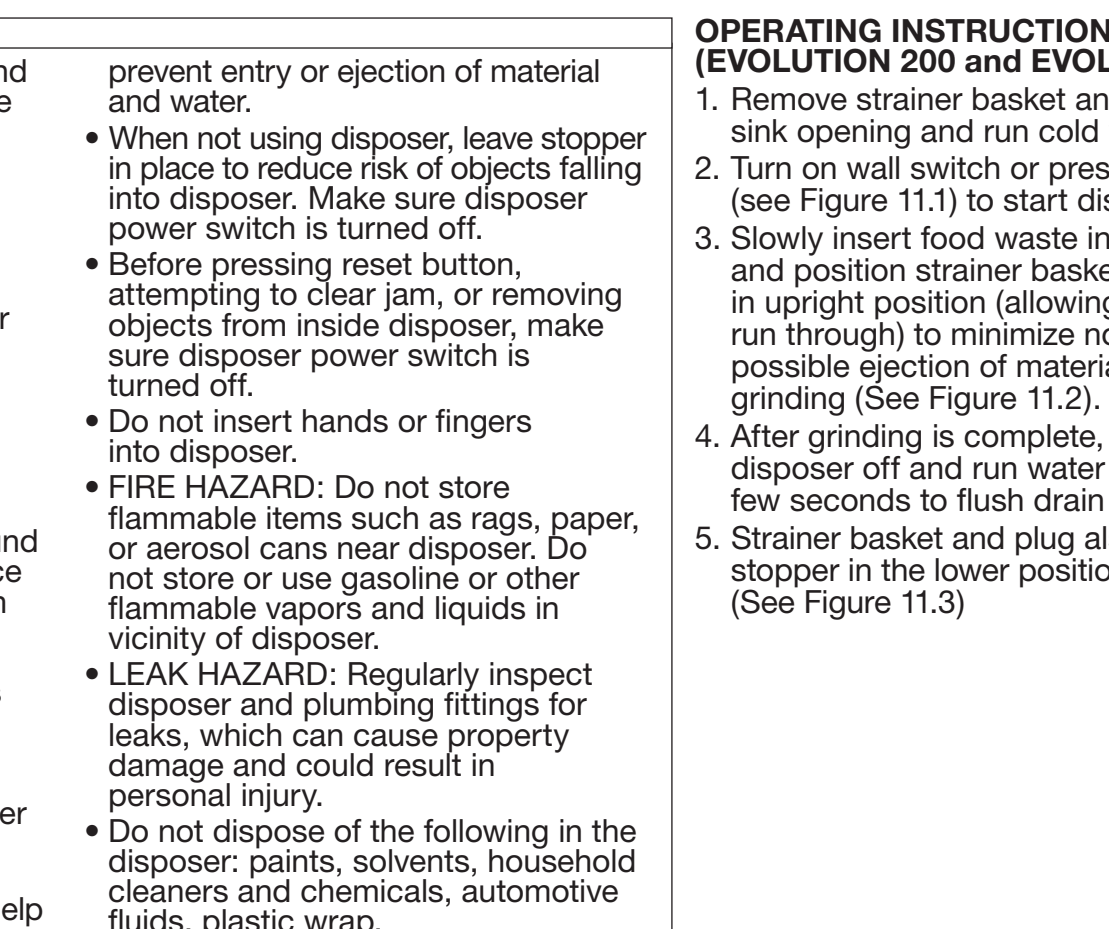
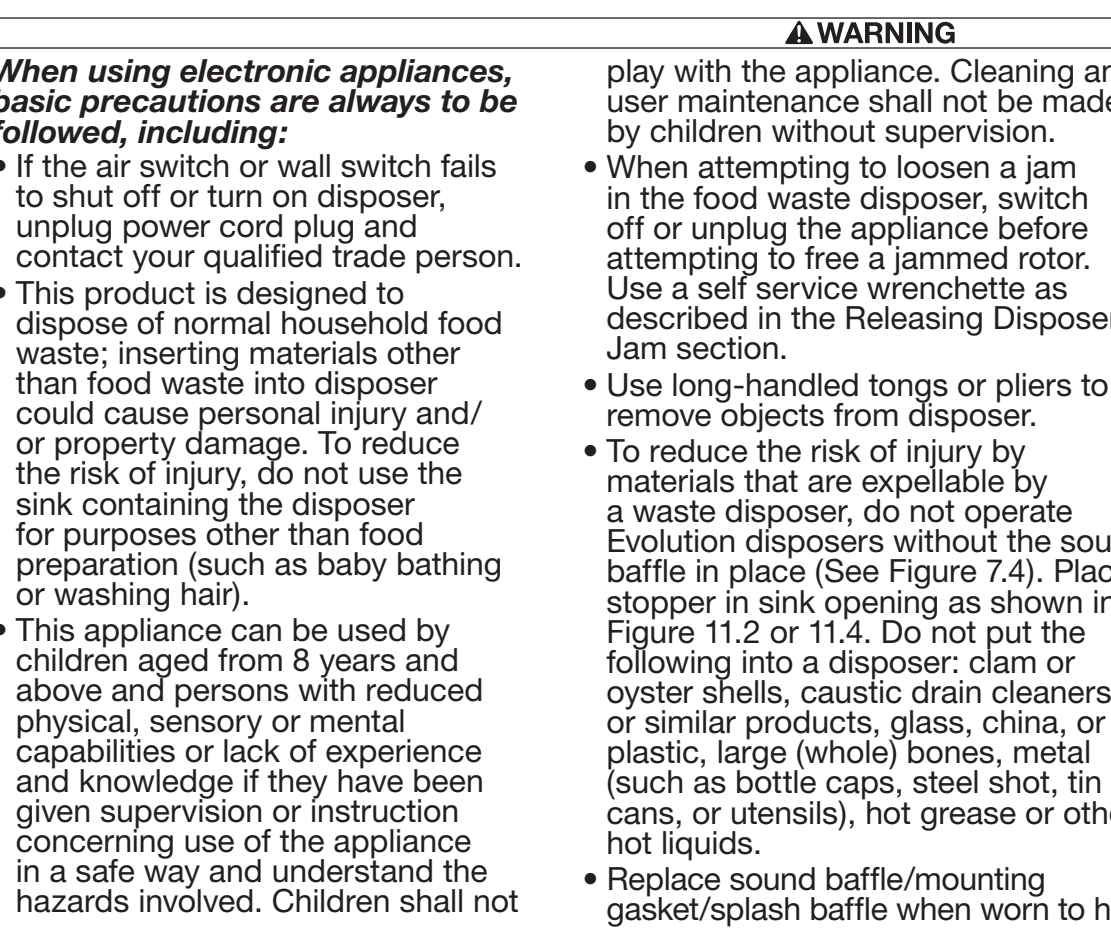
5. Distance from disposal outlet opening to center of water connection. The Evolution 200 Model 66-56, 46 and LC-50 disposer requires a 127 mm (5.0 in) wide water connection. The Evolution 100 Model 66-56, 46 and LC-50 disposer requires a 102 mm (4.0 in) wide water connection.

**6. ATTACH UPPER MOUNTING ASSEMBLY TO SINK**

1. Place one of the upper mounting assemblies (2) over sink drain (1). Ensure sink hole is clear of debris and push sink flange (3) up into hole. You may need to use a hole saw or other cutting tool. Do not use PVC tubing. Do not use a hole saw or other cutting tool.

2. Working from under the sink, slip second rubber gasket (4), first gasket (5) and install gasket (6). Tighten gasket (6) with the rubber gasket nut (7). Do not over-tighten.

3. Tighten lower mounting gasket (8) to sink unit mounting assembly as described in step 8 every second sink.



**OPERATING INSTRUCTIONS (EVOLUTION 200, EVOLUTION 100)**

1. Remove strainer basket and plug from front of disposer. Run water for 15 to 30 seconds. Do not use harsh chemicals or bleach.

2. Turn on wall switch or press air switch (see Figure 11.1) to start disposer. Do not use the disposer for 30 seconds after the stopper is removed. Do not use the disposer for 30 seconds after the stopper is removed.

3. Slowly insert food waste into disposer and position strainer basket and plug in upright position (allowing water to run through) to minimize noise and possible ejection of material while grinding (See Figure 11.2).

4. After grinding is complete, turn disposer off and run water for at least a few seconds to flush drain line.

5. Strainer basket and plug also acts as a stopper in the lower position. (See Figure 11.3)

**OPERATING INSTRUCTIONS (MODELS 66, 56, 46 and LC-50)**

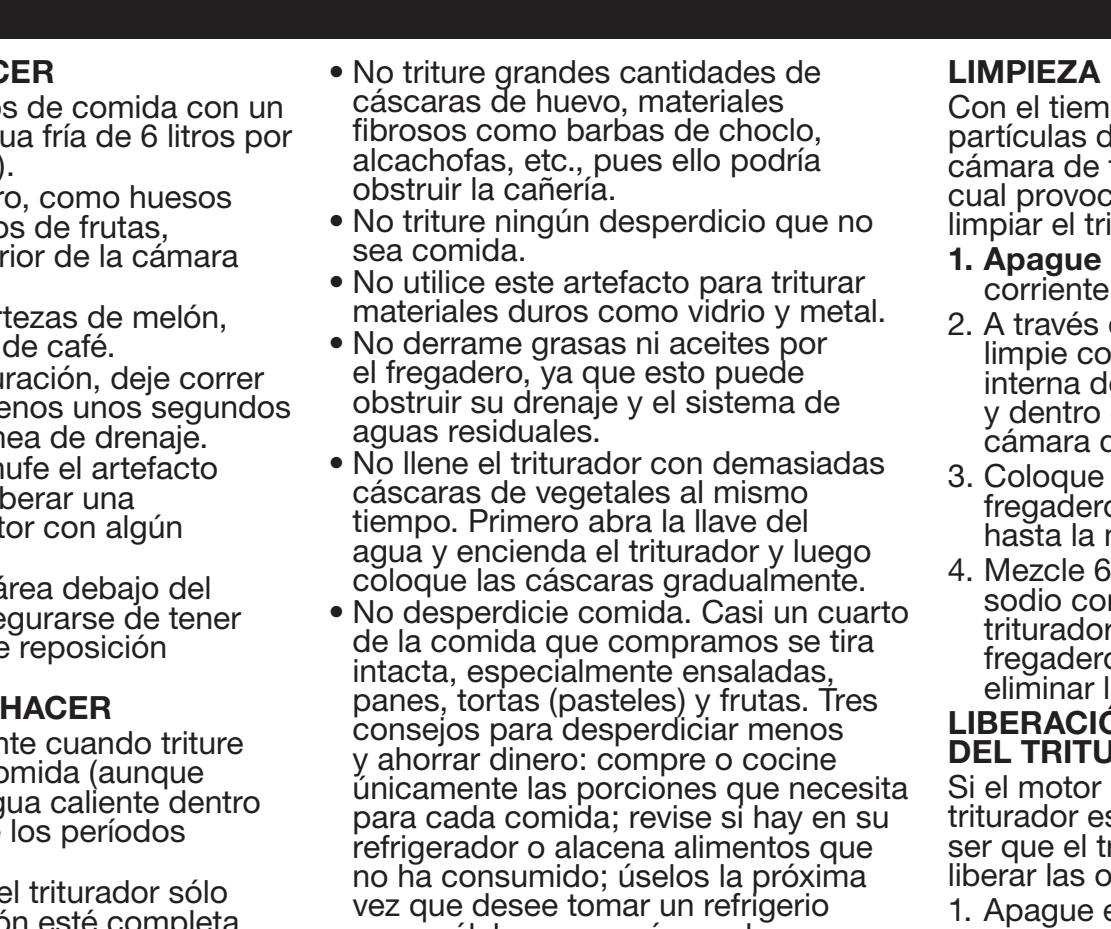
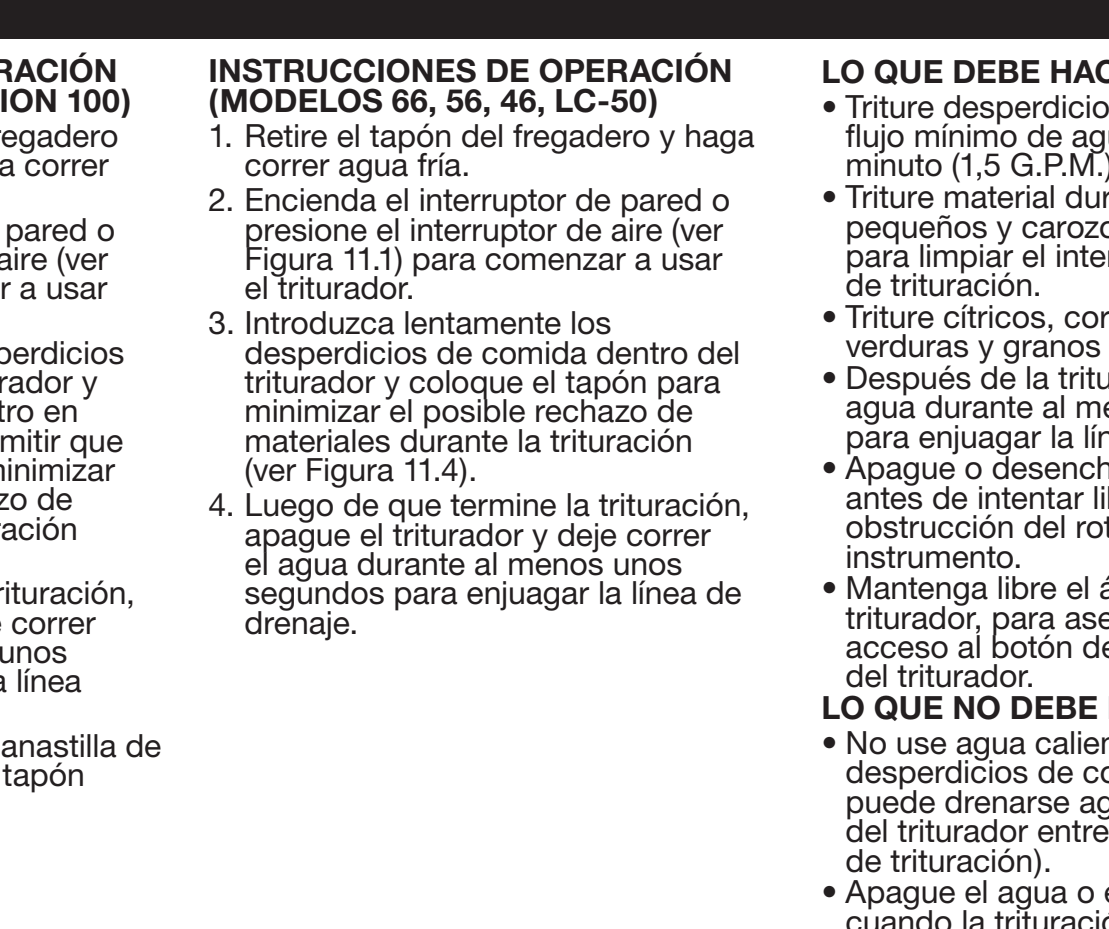
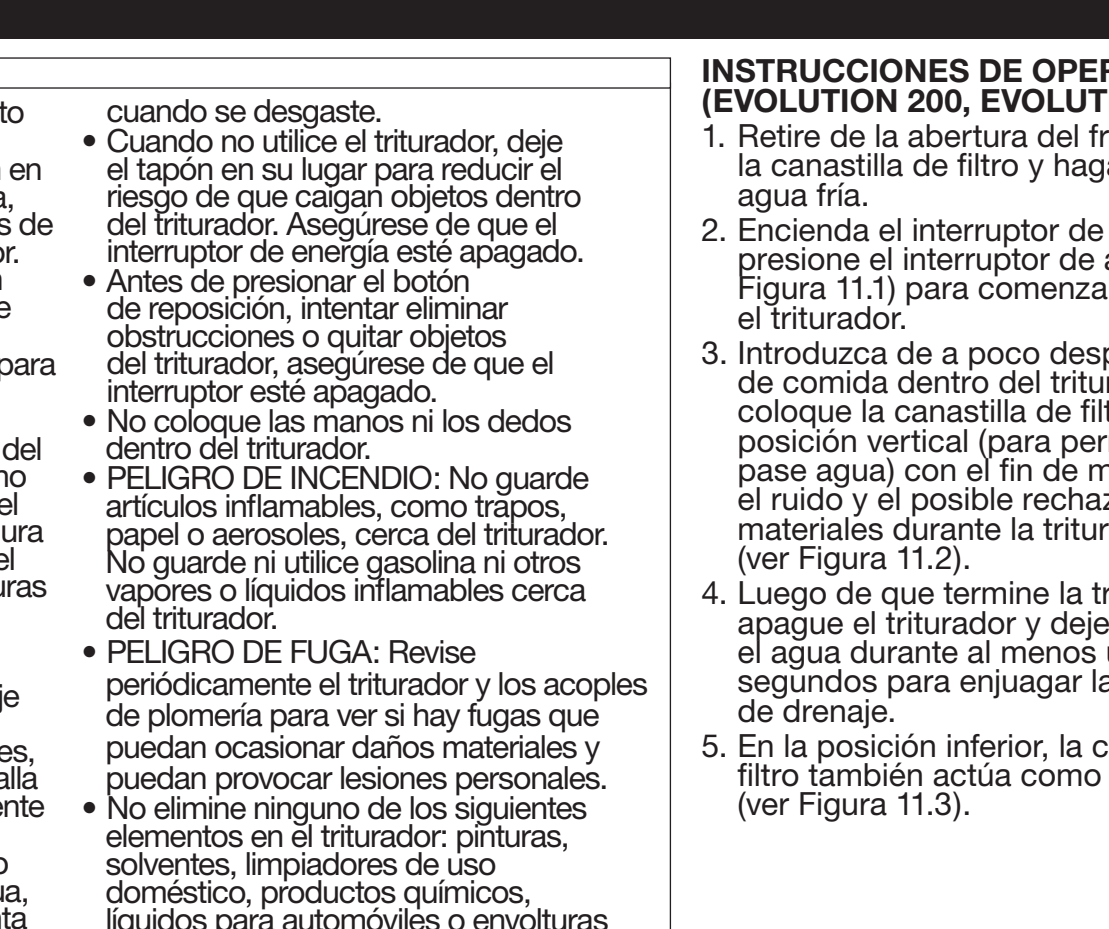
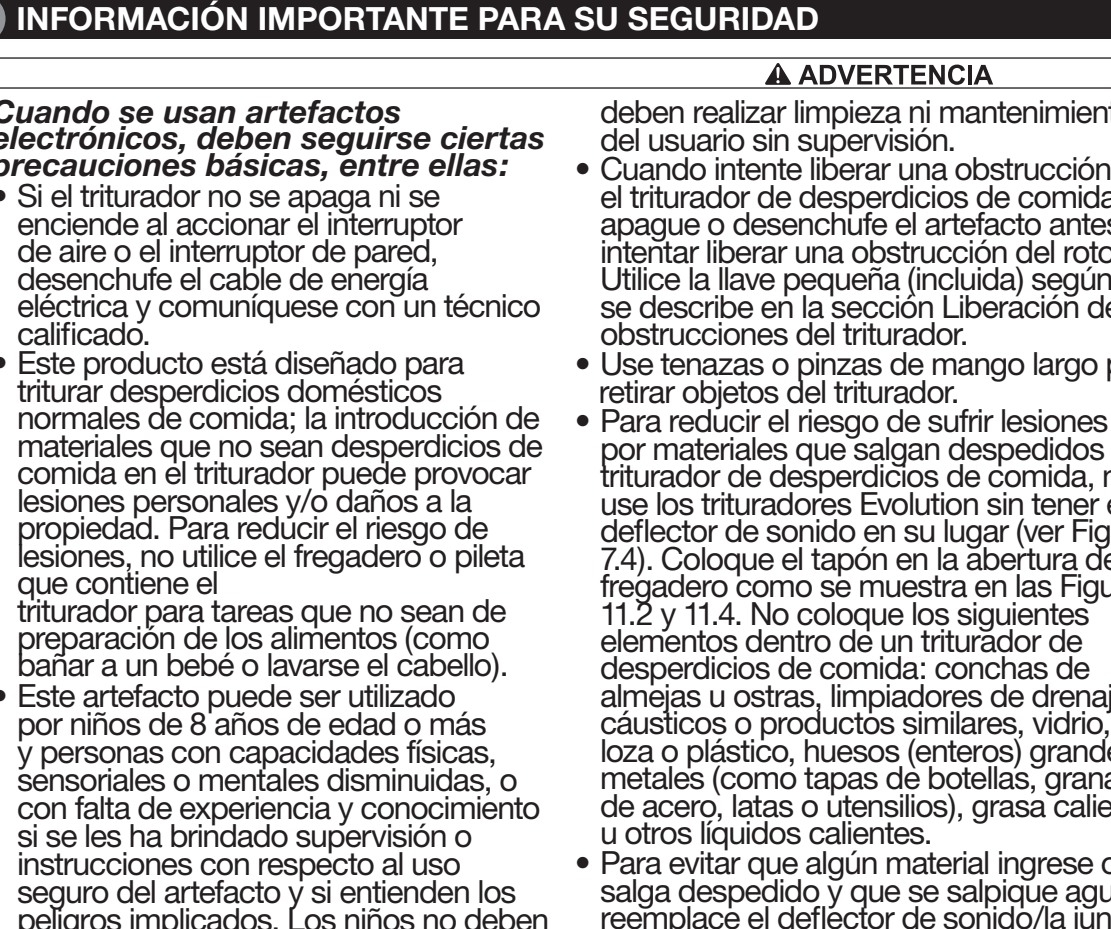
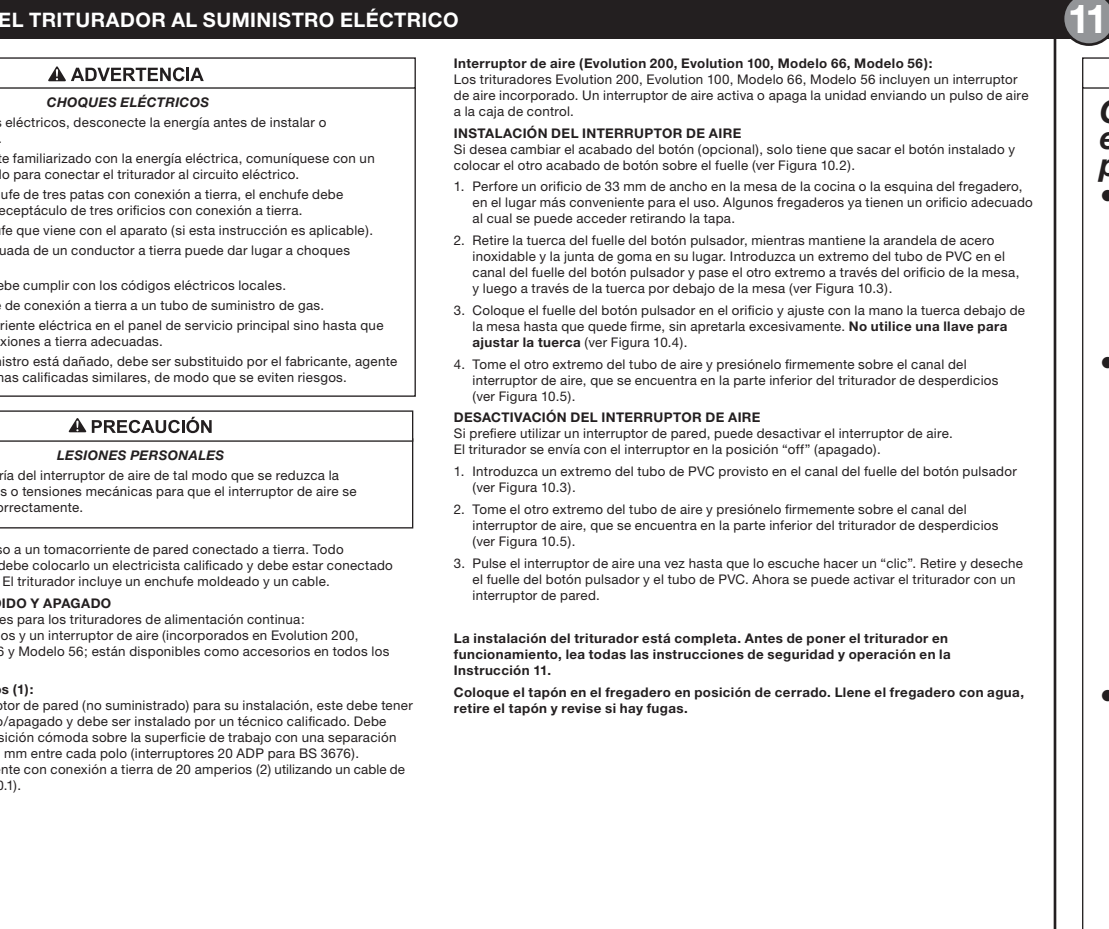
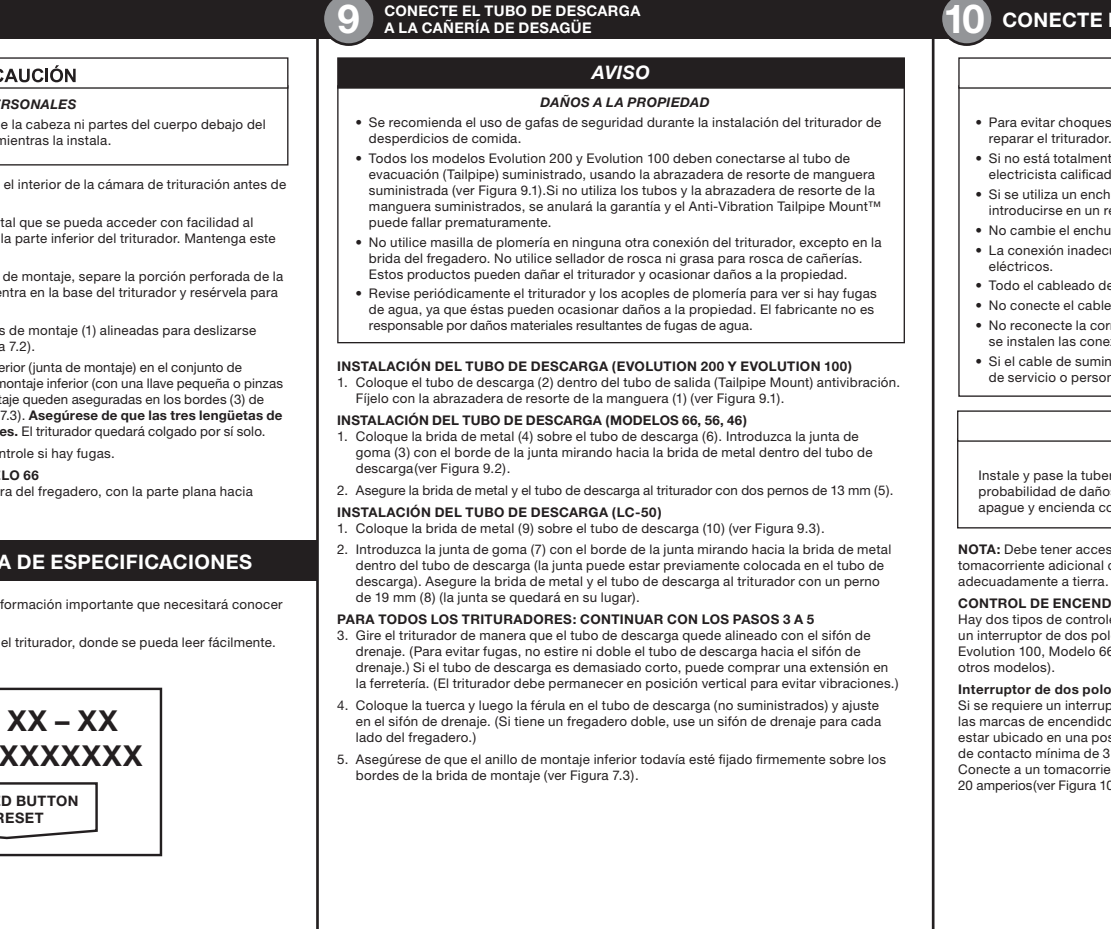
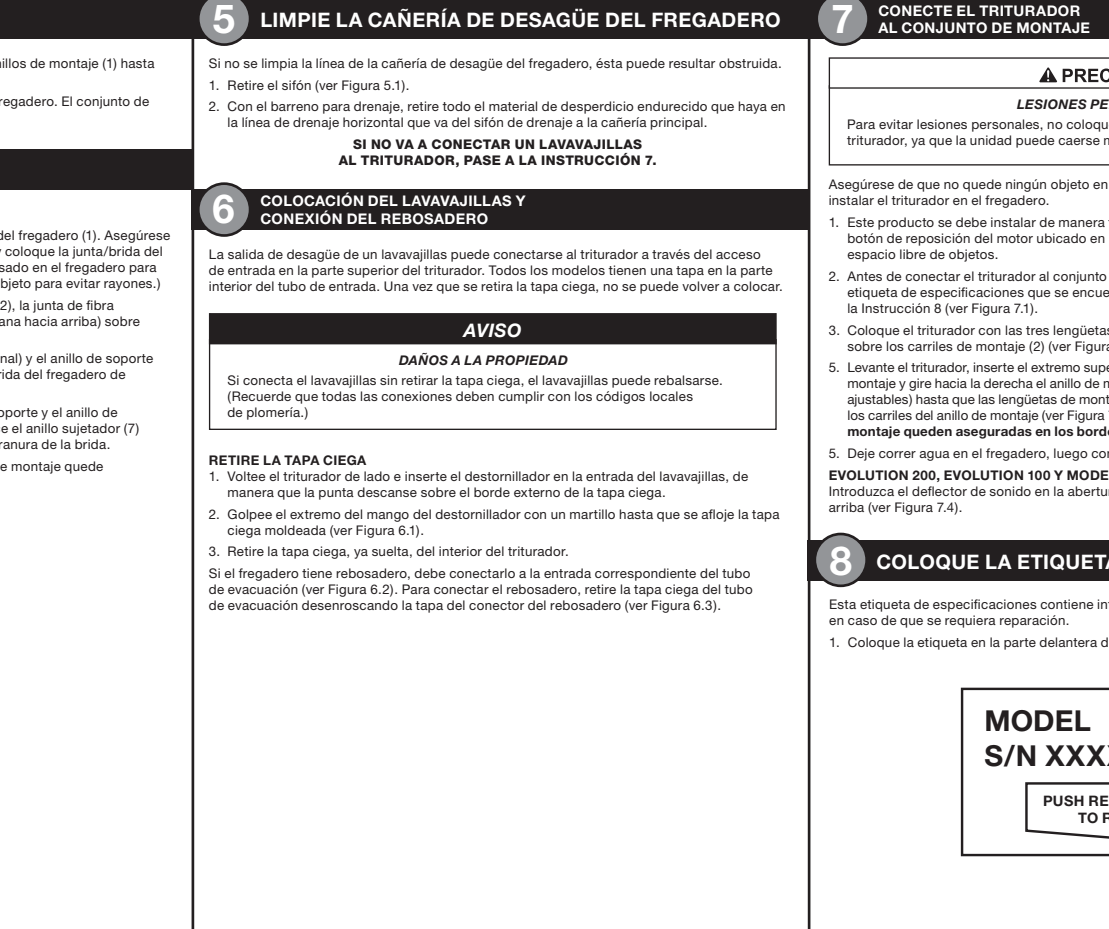
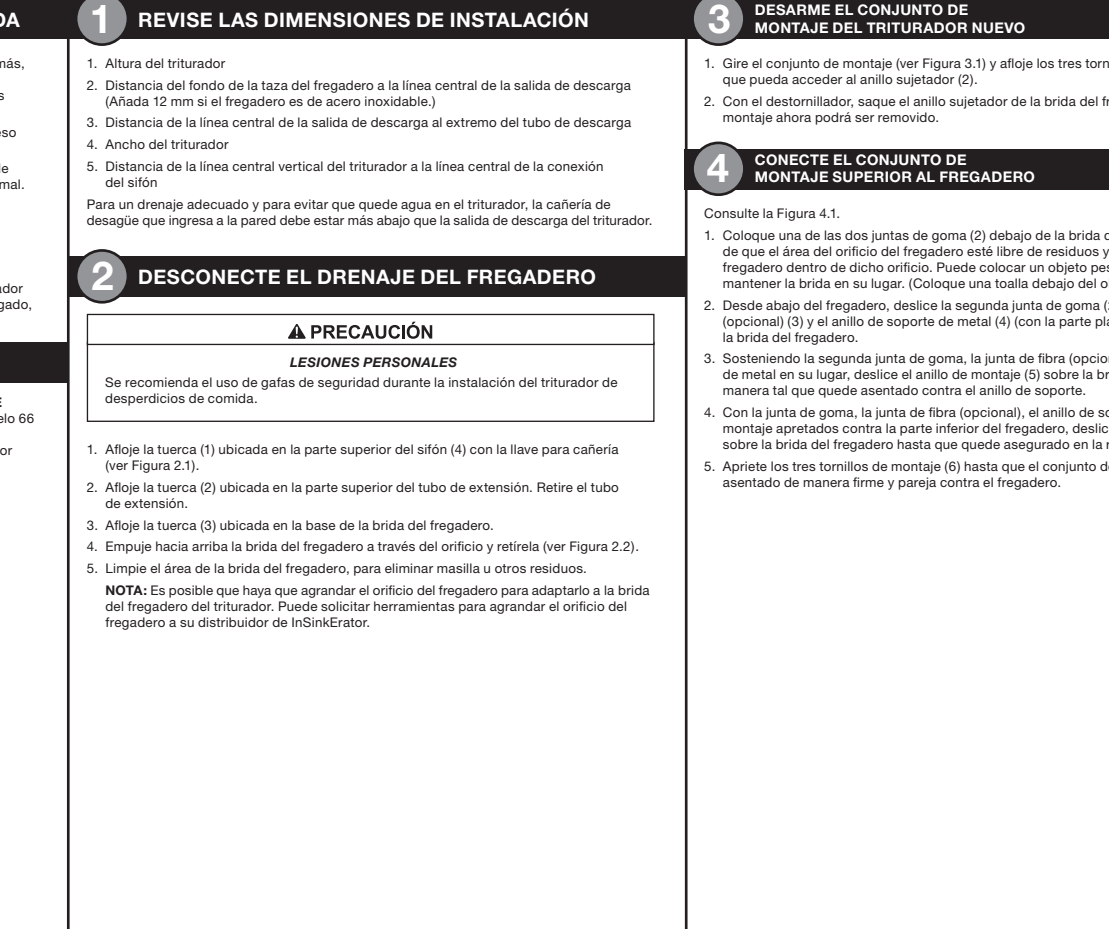
1. Remove strainer basket and plug from front of disposer. Run water for 15 to 30 seconds. Do not use harsh chemicals or bleach.

2. Turn on wall switch or press air switch (see Figure 11.1) to start disposer. Do not use the disposer for 30 seconds after the stopper is removed. Do not use the disposer for 30 seconds after the stopper is removed.

3. Slowly insert food waste into disposer and position strainer basket and plug in upright position (allowing water to run through) to minimize noise and possible ejection of material while grinding (See Figure 11.2).

4. After grinding is complete, turn disposer off and run water for at least a few seconds to flush drain line.

5. Strainer basket and plug also acts as a stopper in the lower position. (See Figure 11.3)



**IMPORTANT SAFETY INFORMATION**

**WARNING: ELECTRICAL SHOCK**

Do not use the disposer unless it is properly grounded. Do not use the disposer if the electrical system is not properly grounded. Do not use the disposer if the electrical system is not properly grounded.

**CAUTION: PERSONAL INJURY**

Do not use the disposer if the electrical system is not properly grounded. Do not use the disposer if the electrical system is not properly grounded.

**OPERATING INSTRUCTIONS (MODELS 66, 56, 46 and LC-50)**

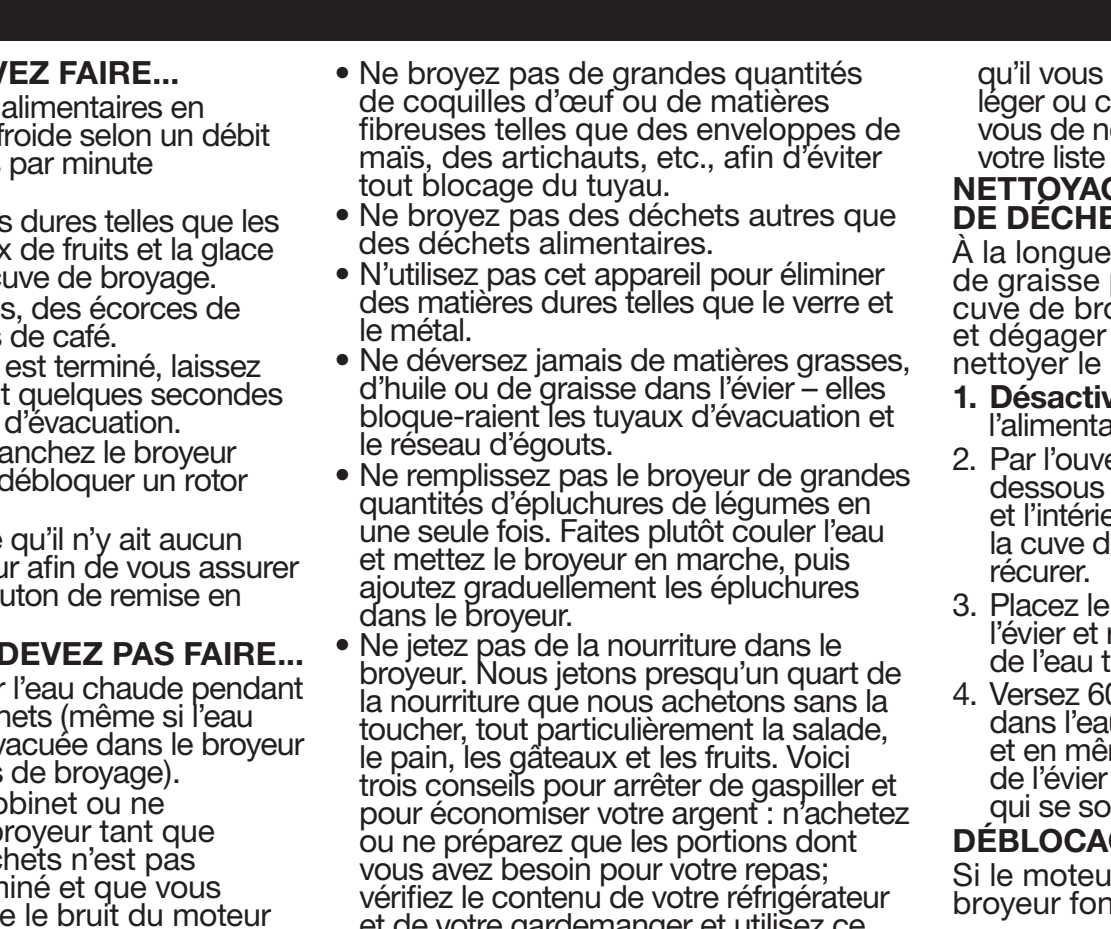
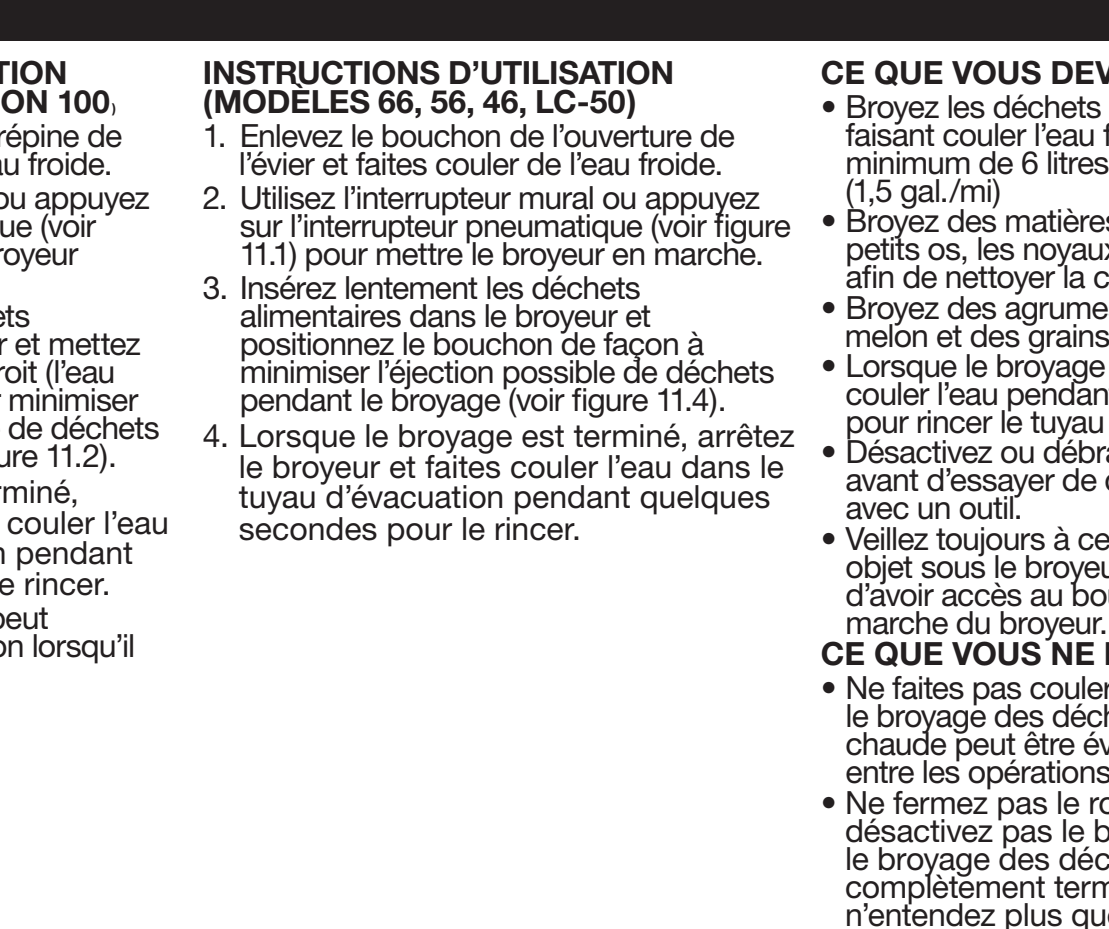
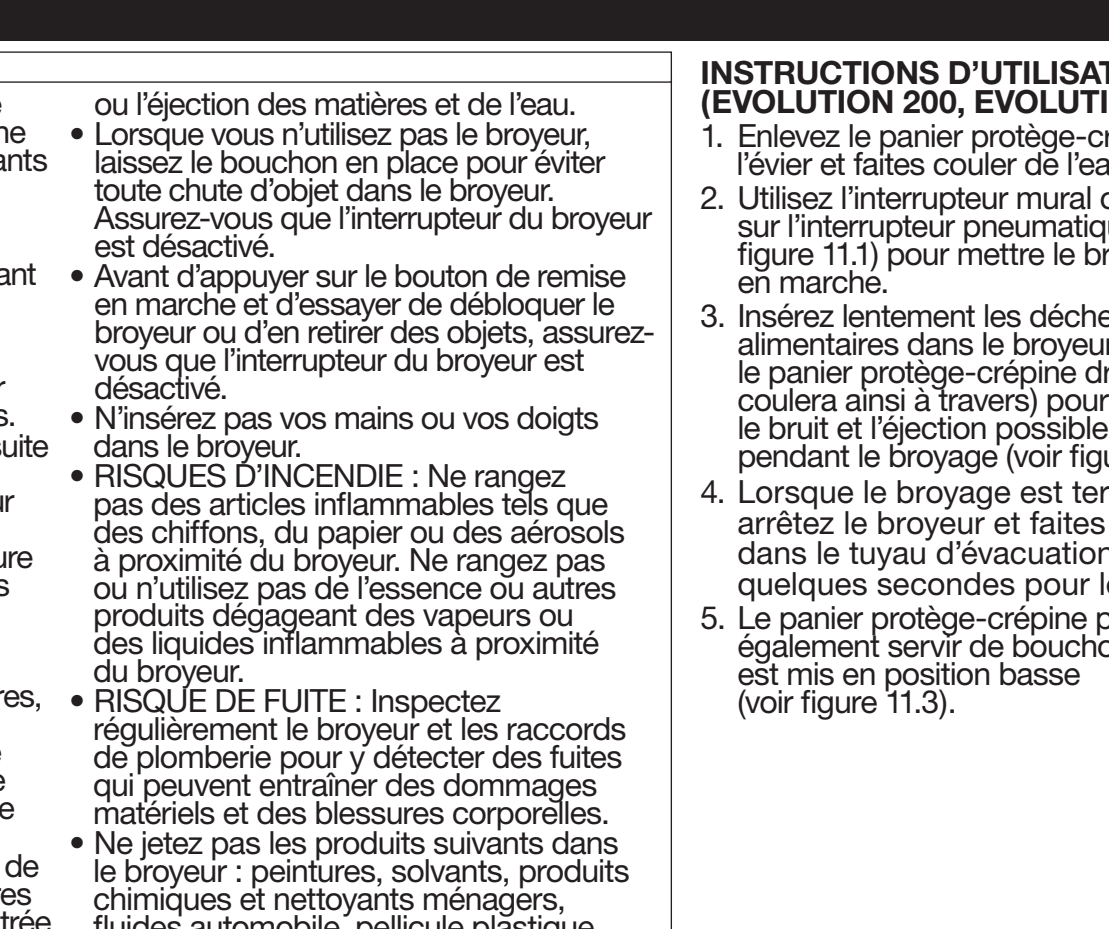
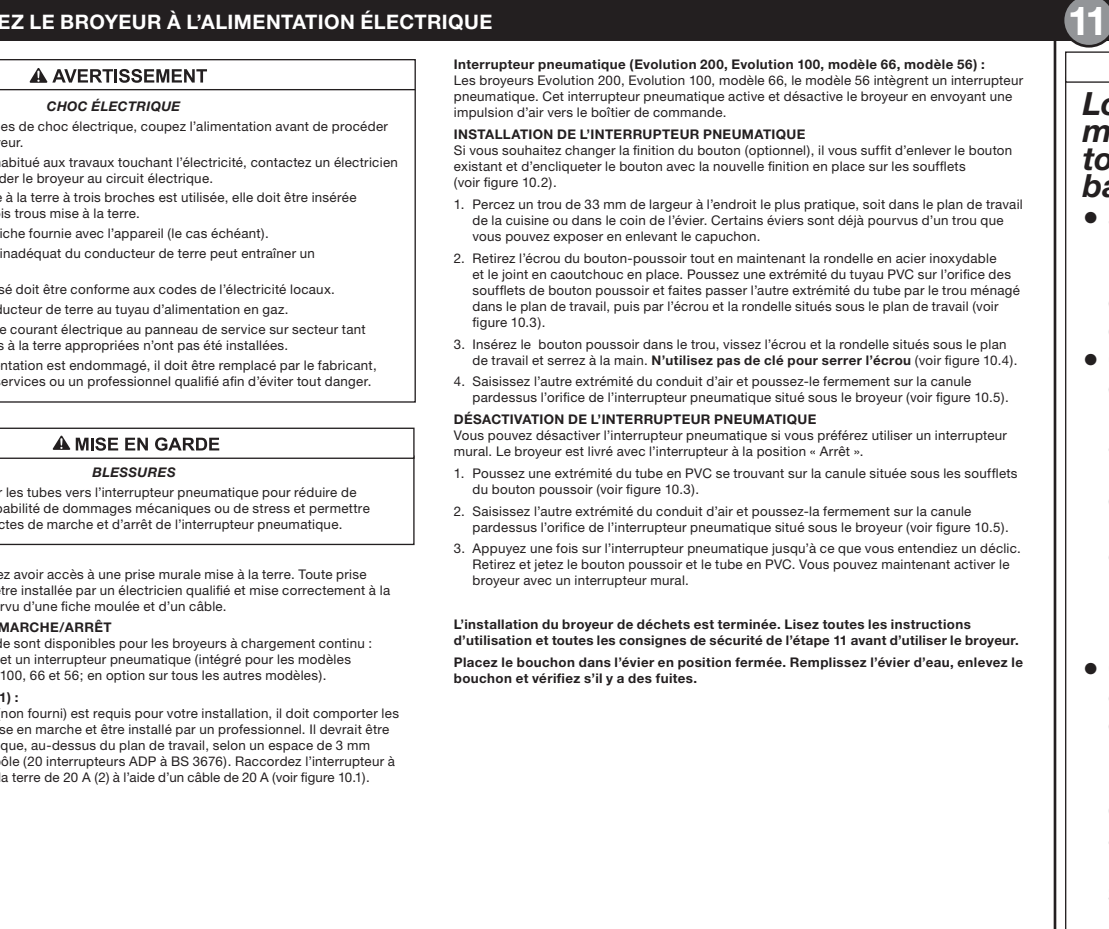
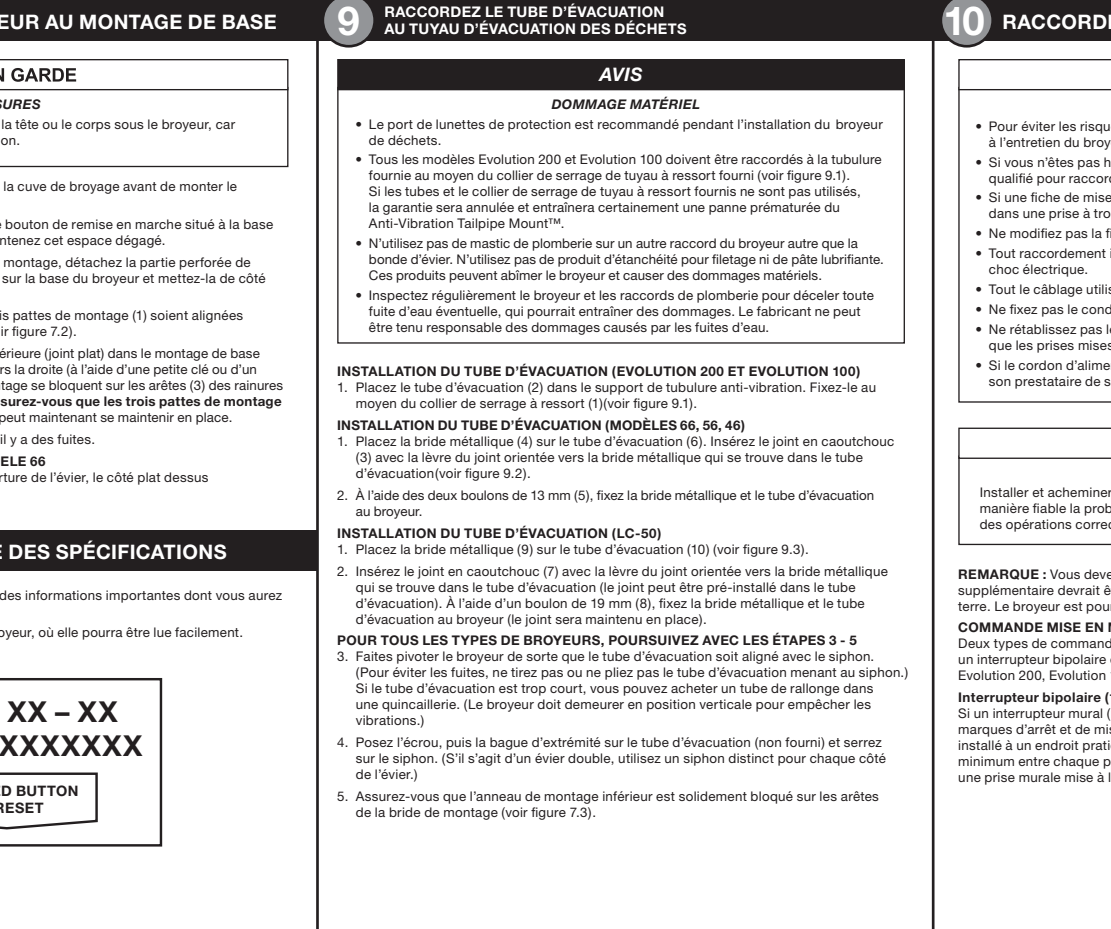
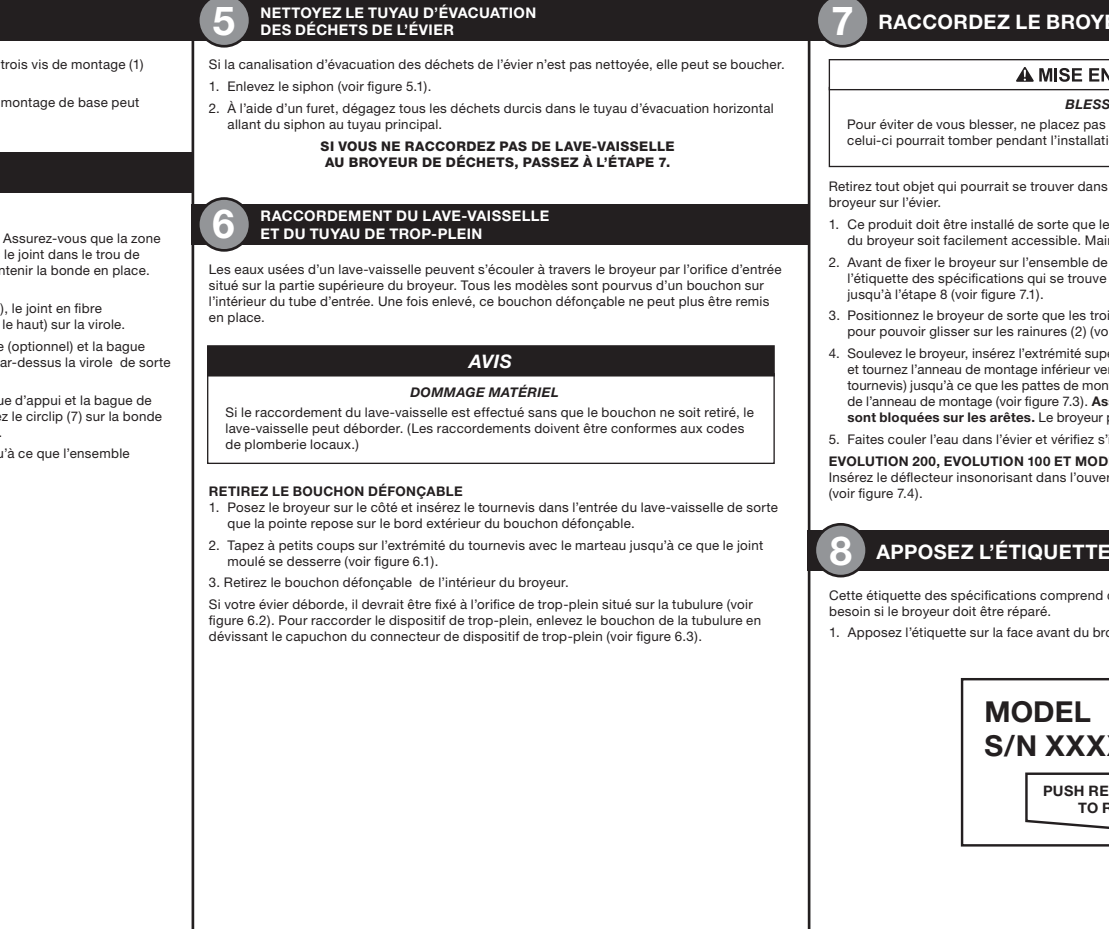
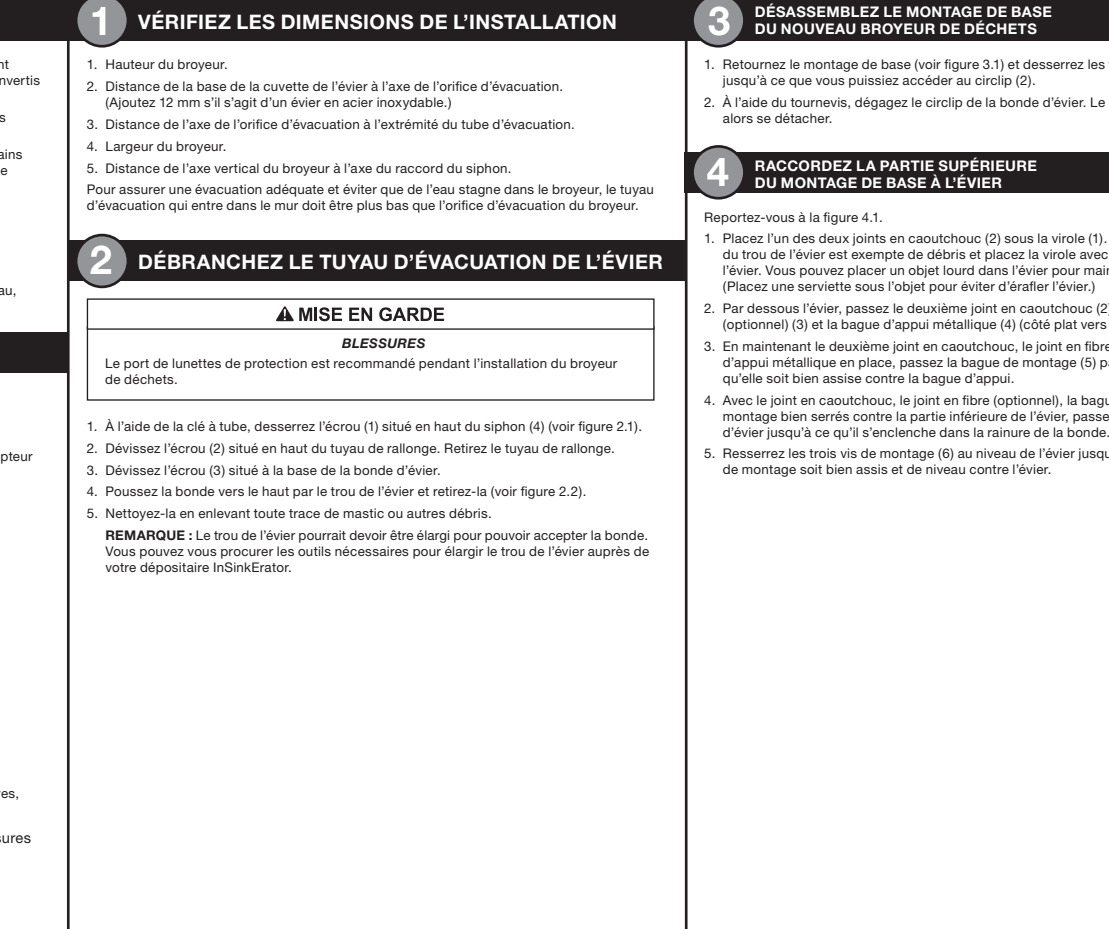
1. Remove strainer basket and plug from front of disposer. Run water for 15 to 30 seconds. Do not use harsh chemicals or bleach.

2. Turn on wall switch or press air switch (see Figure 11.1) to start disposer. Do not use the disposer for 30 seconds after the stopper is removed. Do not use the disposer for 30 seconds after the stopper is removed.

3. Slowly insert food waste into disposer and position strainer basket and plug in upright position (allowing water to run through) to minimize noise and possible ejection of material while grinding (See Figure 11.2).

4. After grinding is complete, turn disposer off and run water for at least a few seconds to flush drain line.

5. Strainer basket and plug also acts as a stopper in the lower position. (See Figure 11.3)



**OPERATING INSTRUCTIONS (MODELS 66, 56, 46 and LC-50)**

1. Remove strainer basket and plug from front of disposer. Run water for 15 to 30 seconds. Do not use harsh chemicals or bleach.

2. Turn on wall switch or press air switch (see Figure 11.1) to start disposer. Do not use the disposer for 30 seconds after the stopper is removed. Do not use the disposer for 30 seconds after the stopper is removed.

3. Slowly insert food waste into disposer and position strainer basket and plug in upright position (allowing water to run through) to minimize noise and possible ejection of material while grinding (See Figure 11.2).

4. After grinding is complete, turn disposer off and run water for at least a few seconds to flush drain line.

5. Strainer basket and plug also acts as a stopper in the lower position. (See Figure 11.3)

**MANUAL DE USO, CUIDADOS E INSTALAÇÃO DO TRITURADOR DE RESÍDUOS ALIMENTARES**

**EVOLUÇÃO 100-4B-08**

	1	2	3	4	5
Evolution 100-4B-08	10.000	12.000	15.000	20.000	25.000
Model 66-4-0	11.000	14.000	18.000	24.000	30.000
Model 66-4-1	11.000	14.000	18.000	24.000	30.000
LC-90-15	11.000	14.000	18.000	24.000	30.000

**1. VERIFICAR AS DIMENSÕES DA INSTALAÇÃO**

- Atenção ao tamanho da unidade.
- Verifique se há espaço suficiente para a instalação.

**2. DESCONECTAR O DRENHO DA PIA**

**3. LER O MANUAL DE INSTRUÇÕES**

**4. LER O MANUAL DE INSTRUÇÕES**

**5. LER O MANUAL DE INSTRUÇÕES**

**6. LER O MANUAL DE INSTRUÇÕES**

**7. LER O MANUAL DE INSTRUÇÕES**

**8. LER O MANUAL DE INSTRUÇÕES**

**9. LER O MANUAL DE INSTRUÇÕES**

**10. LER O MANUAL DE INSTRUÇÕES**

**11. LER O MANUAL DE INSTRUÇÕES**

**12. LER O MANUAL DE INSTRUÇÕES**

**2. DESCONECTAR O DRENHO DA PIA**

**3. LER O MANUAL DE INSTRUÇÕES**

**4. LER O MANUAL DE INSTRUÇÕES**

**5. LER O MANUAL DE INSTRUÇÕES**

**6. LER O MANUAL DE INSTRUÇÕES**

**7. LER O MANUAL DE INSTRUÇÕES**

**8. LER O MANUAL DE INSTRUÇÕES**

**9. LER O MANUAL DE INSTRUÇÕES**

**10. LER O MANUAL DE INSTRUÇÕES**

**11. LER O MANUAL DE INSTRUÇÕES**

**12. LER O MANUAL DE INSTRUÇÕES**

**5. LIMPAR A TUBULAÇÃO DO ESGOTO DA PIA**

**6. CONECTAR O TRITURADOR AO CONJUNTO DE MONTAGEM**

**7. CONECTAR O TRITURADOR AO CONJUNTO DE MONTAGEM**

**8. CONECTAR O TRITURADOR AO CONJUNTO DE MONTAGEM**

**9. CONECTAR O TRITURADOR AO CONJUNTO DE MONTAGEM**

**10. CONECTAR O TRITURADOR AO CONJUNTO DE MONTAGEM**

**11. CONECTAR O TRITURADOR AO CONJUNTO DE MONTAGEM**

**12. CONECTAR O TRITURADOR AO CONJUNTO DE MONTAGEM**

**6. LIGAR O TRITURADOR À ENERGIA ELÉTRICA**

**7. CONECTAR O TRITURADOR AO CONJUNTO DE MONTAGEM**

**8. CONECTAR O TRITURADOR AO CONJUNTO DE MONTAGEM**

**9. CONECTAR O TRITURADOR AO CONJUNTO DE MONTAGEM**

**10. CONECTAR O TRITURADOR AO CONJUNTO DE MONTAGEM**

**11. CONECTAR O TRITURADOR AO CONJUNTO DE MONTAGEM**

**12. CONECTAR O TRITURADOR AO CONJUNTO DE MONTAGEM**

**8. CONECTAR O TRITURADOR AO CONJUNTO DE MONTAGEM**

**9. CONECTAR O TRITURADOR AO CONJUNTO DE MONTAGEM**

**10. CONECTAR O TRITURADOR AO CONJUNTO DE MONTAGEM**

**11. CONECTAR O TRITURADOR AO CONJUNTO DE MONTAGEM**

**12. CONECTAR O TRITURADOR AO CONJUNTO DE MONTAGEM**

**9. CONECTAR O TRITURADOR AO CONJUNTO DE MONTAGEM**

**10. CONECTAR O TRITURADOR AO CONJUNTO DE MONTAGEM**

**11. CONECTAR O TRITURADOR AO CONJUNTO DE MONTAGEM**

**12. CONECTAR O TRITURADOR AO CONJUNTO DE MONTAGEM**

**10. LIGAR O TRITURADOR À ENERGIA ELÉTRICA**

**11. INFORMAÇÃO DE SEGURANÇA IMPORTANTE**

**12. INFORMAÇÃO DE SEGURANÇA IMPORTANTE**

**11. INFORMAÇÃO DE SEGURANÇA IMPORTANTE**

**12. INFORMAÇÃO DE SEGURANÇA IMPORTANTE**

**12. INFORMAÇÃO DE SEGURANÇA IMPORTANTE**

**12. INFORMAÇÃO DE SEGURANÇA IMPORTANTE**

**12. INFORMAÇÃO DE SEGURANÇA IMPORTANTE**

**12. INFORMAÇÃO DE SEGURANÇA IMPORTANTE**

**12. INFORMAÇÃO DE SEGURANÇA IMPORTANTE**

**12. INFORMAÇÃO DE SEGURANÇA IMPORTANTE**

**12. INFORMAÇÃO DE SEGURANÇA IMPORTANTE**

**12. INFORMAÇÃO DE SEGURANÇA IMPORTANTE**

**12. INFORMAÇÃO DE SEGURANÇA IMPORTANTE**

**12. INFORMAÇÃO DE SEGURANÇA IMPORTANTE**

**12. INFORMAÇÃO DE SEGURANÇA IMPORTANTE**

**12. INFORMAÇÃO DE SEGURANÇA IMPORTANTE**

**12. INFORMAÇÃO DE SEGURANÇA IMPORTANTE**

**12. INFORMAÇÃO DE SEGURANÇA IMPORTANTE**

**12. INFORMAÇÃO DE SEGURANÇA IMPORTANTE**

**12. INFORMAÇÃO DE SEGURANÇA IMPORTANTE**

**12. INFORMAÇÃO DE SEGURANÇA IMPORTANTE**

**12. INFORMAÇÃO DE SEGURANÇA IMPORTANTE**

**12. INFORMAÇÃO DE SEGURANÇA IMPORTANTE**

**12. INFORMAÇÃO DE SEGURANÇA IMPORTANTE**

**12. INFORMAÇÃO DE SEGURANÇA IMPORTANTE**

**12. INFORMAÇÃO DE SEGURANÇA IMPORTANTE**

**12. INFORMAÇÃO DE SEGURANÇA IMPORTANTE**

**12. INFORMAÇÃO DE SEGURANÇA IMPORTANTE**

**12. INFORMAÇÃO DE SEGURANÇA IMPORTANTE**

**12. INFORMAÇÃO DE SEGURANÇA IMPORTANTE**

**12. INFORMAÇÃO DE SEGURANÇA IMPORTANTE**

**12. INFORMAÇÃO DE SEGURANÇA IMPORTANTE**

**12. INFORMAÇÃO DE SEGURANÇA IMPORTANTE**

**12. INFORMAÇÃO DE SEGURANÇA IMPORTANTE**

**12. INFORMAÇÃO DE SEGURANÇA IMPORTANTE**